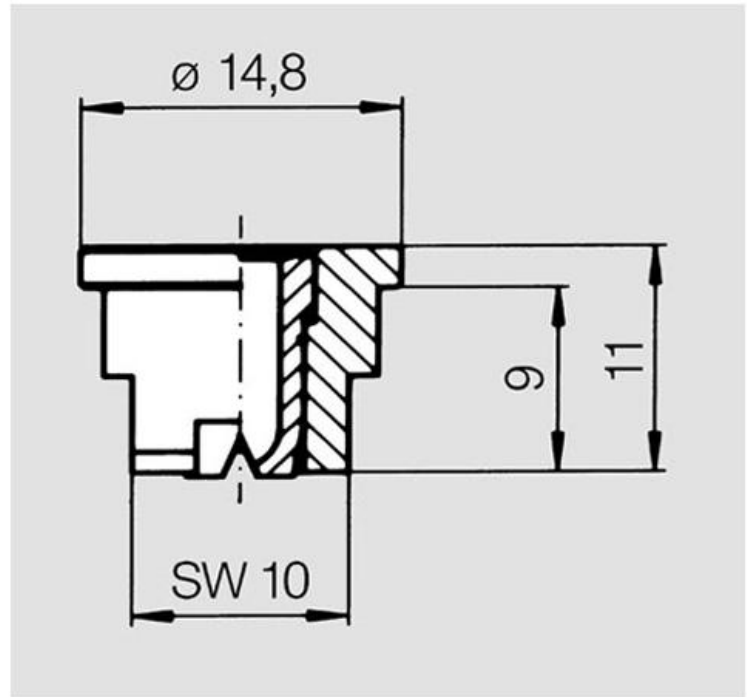


## TP TPU Teejet Flat Fan Spray Nozzles



TPU



- A large choice of interchangeable spray tips, materials, spray angles, flow rates
- Save on nozzle replacement costs – bodies can be reused, only spray tips are replaced
- Design allows easy tip change out in place – remove tips by unscrewing the retainer cap
- TP TPU Teejet Flat Fan Spray Nozzles produce flat fan with tapered edge spray pattern
- Spray angle from 0° to 110°
- Thread size range from 1/8" to 2" with BSPT or NPT thread type
- Stable spray angle with uniform, parabolic distribution of liquid.
- Spray pipes equipped with these nozzles show an extremely uniform total distribution of liquid.
- General Application :

Cleaning

Rinsing

Coating

Washing

Pressure Washing

Surface Preparation



Spray angle at 3 bar	Flow code	VEEJET nozzle Nozzle type/Inlet connector											Equivalent orifice dia.	Flow (L/min)											Spray angle				
		H-VV		H-VVL		H-U				U				0.3bar	1bar	2bar	3bar	4bar	5bar	6bar	7bar	10bar	20bar	35bar	1.5bar	3bar	6bar	14bar	
		1/8	1/4	1/8	1/4	1/8	1/4	3/8	1/2	3/4	1	1-1/4		2															
15°	1560					●	●							4.8		13.7	19.3	24	27	31	33	36	43	61	81	11°	15°	18°	21°
	1570					●		●						5.2		16.0	23	28	32	36	39	42	50	71	94	11°	15°	18°	21°
	15100							●	●					6.4	12.5	23	32	39	46	51	56	60	72	102	135	13°	15°	17°	18°
	15120							●						6.7	15.0	27	39	47	55	61	67	72	86	122	162	13°	15°	17°	18°
	15150								●					7.5	18.7	34	48	59	68	76	84	90	108	153	205	14°	15°	17°	18°
	15200									●				8.7	25	46	64	79	91	102	112	121	144	205	270	14°	15°	17°	18°
	15250										●			9.5	31	57	81	99	114	127	140	151	180	255	340	14°	15°	16°	17°
	15500												●	13.1	62	114	161	197	230	255	280	300	360	510	680	14°	15°	16°	17°
	151000												●	18.7	125	230	325	395	455	510	560	610	720	1020	1350	14°	15°	16°	17°
0°	0003					●	●							1.0	0.37	0.68	0.97	1.2	1.4	1.5	1.7	1.8	2.2	3.1	4.0				
	0004					●	●							1.2	0.50	0.91	1.3	1.6	1.8	2.0	2.2	2.4	2.9	4.1	5.4				
	0005					●	●							1.3	0.62	1.1	1.6	2.0	2.3	2.5	2.8	3.0	3.6	5.1	6.7				
	0006					●	●							1.5	0.75	1.4	1.9	2.4	2.7	3.1	3.3	3.6	4.3	6.1	8.1				
	0008					●	●							1.7	1.0	1.8	2.6	3.2	3.6	4.1	4.5	4.8	5.8	8.2	10.8				
	0010					●	●							1.9	1.2	2.3	3.2	3.9	4.6	5.1	5.6	6.0	7.2	10.2	13.5				
	0015					●	●							2.3	1.9	3.4	4.8	5.9	6.8	7.6	8.4	9.0	10.8	15.3	20				
	0020					●	●	●						2.7	2.5	4.6	6.5	7.9	9.1	10.2	11.2	12.1	14.4	20	27				
	0030					●	●							3.6	3.7	6.8	9.7	11.8	13.7	15.3	16.7	18.1	22	31	40				
	0040					●	●							4.0	5.0	9.1	12.9	15.8	18.2	20	22	24	29	41	54				
	0050					●								4.4	6.2	11.4	16.1	19.7	23	25	28	30	36	51	68				
	0060					●								4.8	7.5	13.7	19.3	24	27	31	33	36	43	61	81				
	0070					●	●							5.2	8.7	16.0	23	28	32	36	39	42	50	71	94				
	0080					●	●							5.2	10.0	18.2	26	32	36	41	45	48	58	82	108				
	00100						●							6.0	12.5	23	32	39	46	51	56	60	72	102	135				
	00120						●							6.4	15.0	27	39	47	55	61	67	72	86	122	162				
	00150								●					7.5	18.7	34	48	59	68	76	84	90	108	153	205				
	00200								●					8.3	25	46	64	79	91	102	112	121	144	205	270				
	00250								●					9.5	31	57	81	99	114	127	140	151	180	255	340				
	00350									●				11.1	44	80	113	138	160	178	195	210	255	360	475				
	00700									●				15.5	87	160	225	275	320	355	390	420	510	720	950				
	001000										●			19.1	125	230	325	395	460	510	560	610	720	1020	1350				
	001100										●			19.8	140	255	355	435	500	560	620	670	790	1120	1490				
	001400											●		22.2	175	320	455	560	640	720	780	850	1010	1430	1890				
	001800												●	25.4	225	410	580	710	820	920	1010	1090	1300	1840	2430				
	002000											●	●	26.6	250	460	650	790	910	1020	1120	1210	1440	2040	2700				
003500												●	34.9	440	800	1130	1380	1600	1790	1960	2110	2520	3570	4720					

0°  
液柱流

